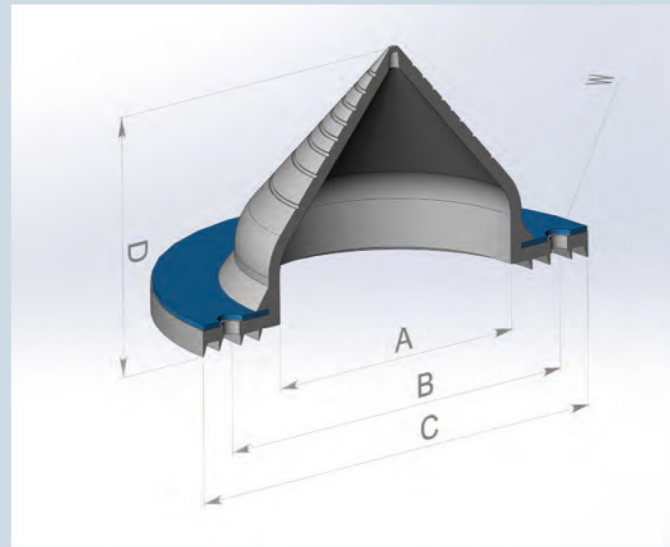


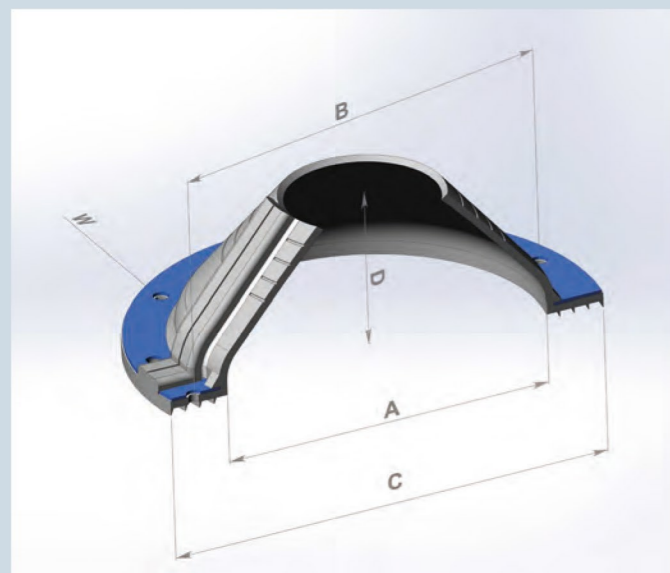
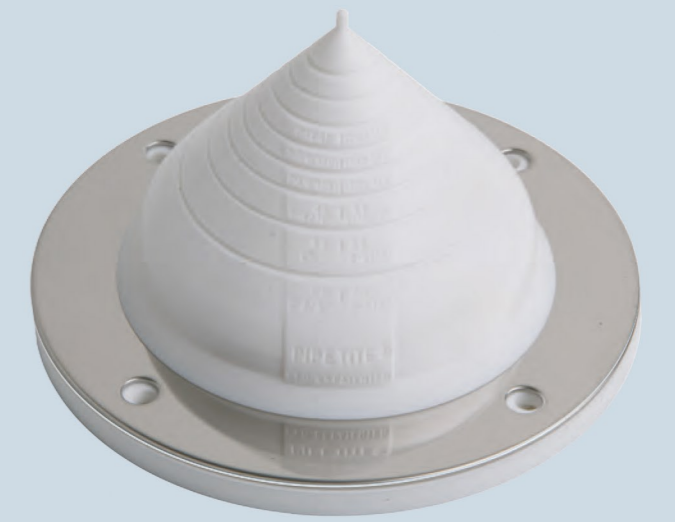
PIPE INSTALLATIONS WALL BOOTS

Flexible, self-sealing wall boot for pipe installations in hygienic environments



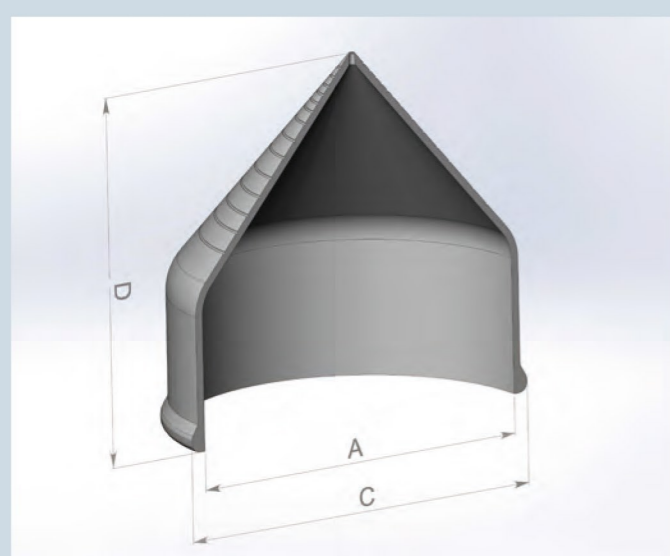
Standard					
Size	Dimensions				
	A(mm)	B(mm)	C(mm)	D(mm)	W(mm)
0-25	30	57	70	52	6.2
0-65	64	91	106	60	6.2
0-95	100	128	147	78	6.2
70-135	140	168	187	64	6.2
100-180	180	213	237	84	6.2

Standard



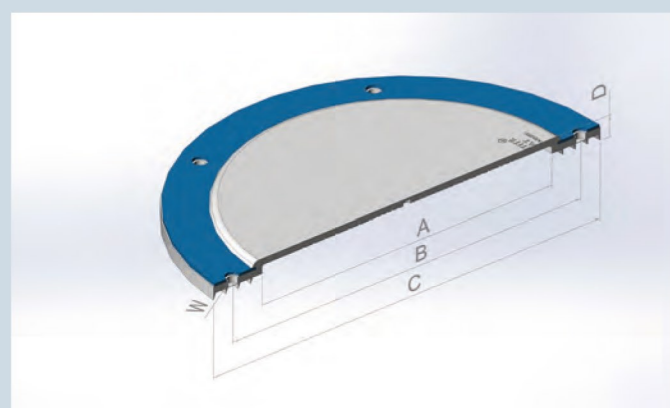
ReBoot					
Size	Dimensions				
	A(mm)	B(mm)	C(mm)	D(mm)	W(mm)
0-65	64	91	106	60	6.2
0-95	100	128	147	78	6.2
70-135	140	168	187	64	6.2
100-180	180	213	237	84	6.2
125-275	280	313	337	137	6.2
165-380	434	467	490	200	6.2

ReBoot



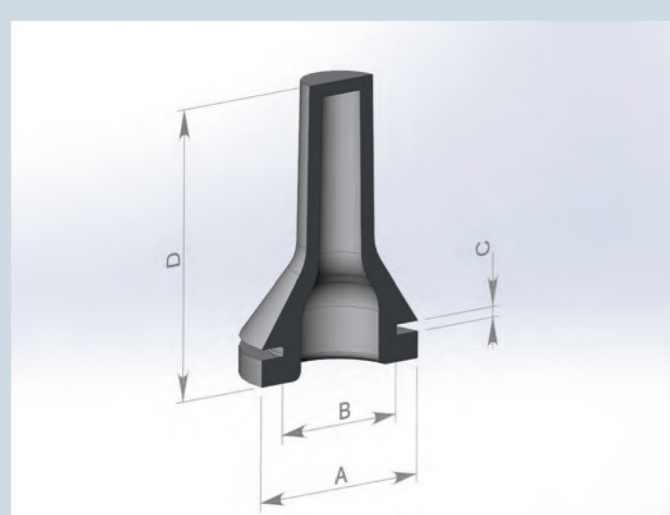
PIPE n PIPE					
Size	Dimensions				
	A(mm)	B(mm)	C(mm)	D(mm)	W(mm)
25 x 0-20	-	-	-	-	-
65 x 0-50	-	-	-	-	-
100 x 0-75	90	-	102	112	-
150 x 0-135	141	-	153	150	-
200 x 0-180	197	-	209	191	-

PIPE n PIPE



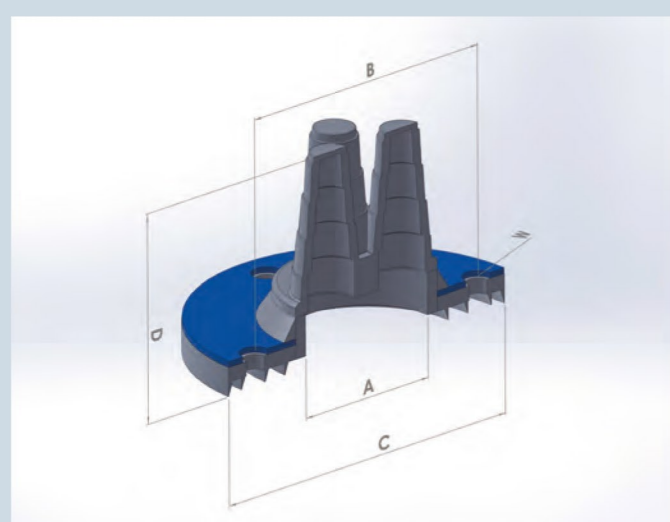
Flat					
Size	Dimensions				
	A(mm)	B(mm)	C(mm)	D(mm)	W(mm)
0-65	64	91	106	10	6.2
0-95	100	128	147	10	6.2
0-135	140	168	187	10	6.2

Flat



Grommet (pneumatics)				
Tube Size	Dimensions			
	A(mm)	B (Hole Diameter)(mm)	C(mm)	D(mm)
6	22	16	1.2 - 3.0	33
8	22	16	1.2 - 3.0	31
10	22	16	1.2 - 3.0	32
12	22	16	1.2 - 3.0	30

Grommet (pneumatics)



Multi grommet (0-25)					
Size	Dimensions				
	A(mm)	B(mm)	C(mm)	D(mm)	W(mm)
G-Multi (0-25)	31	56.7	70	43	6.2

Multi Grommet



Grommet				
Size	Dimensions			
	A(mm)	B(mm)	C(mm)	D(mm)
0-25	48	36	1.2 - 3.0	45
0-65	82	70	1.2 - 3.0	57
0-95	120	106	1.2 - 3.0	75
70-135	160	146	1.2 - 3.0	61
100-180	202	186	1.2 - 3.0	77

Grommet



Distributed by:



POLYSTO
strong in hygienic construction