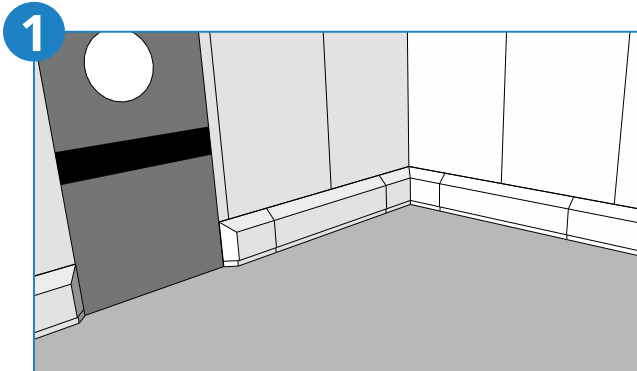


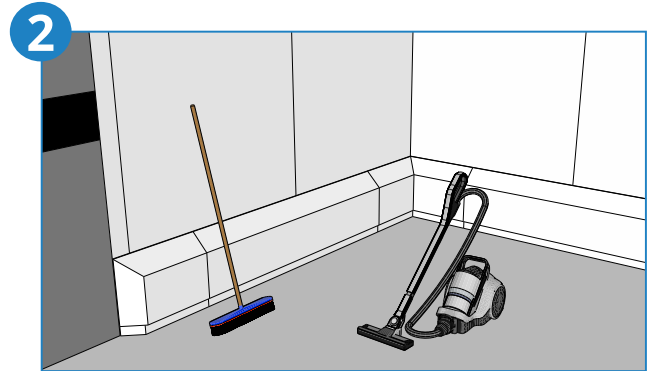


Always wear protective gloves and safety glasses.

## HYGISEAL 3.1

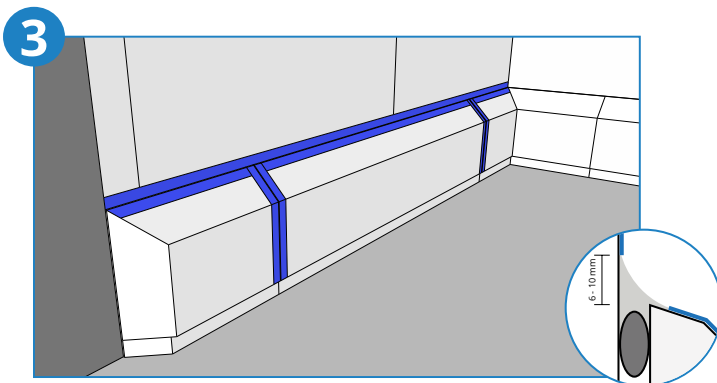


1  
Install the PolySto kerbs and/or B-Hygienic FRP sheets according to the corresponding installation guides. A joint of +/- 4 mm needs to be created between each kerb and/or FRP panel. When the joint between kerb and panel/floor exceeds 6mm, always apply a round backer rod.

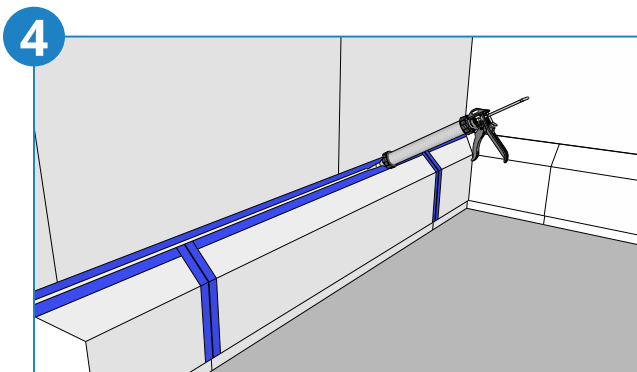
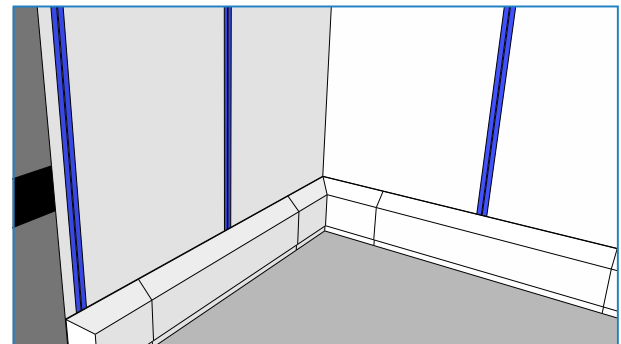


2  
After installation all dust and superficial spots must be removed. Clean the surface and open joint with HygiClean.

It is important that there is no dust in the area that can be blown up and end up in the freshly applied joint.



3  
Fix the HygiSeal-tape on each side of the joint approximately 2 mm from the edge to create an overlap when applying the Hygiseal 3.1. This overlap will result in a much stronger vertical joint. For horizontal joints between kerb and panel, apply 6-10 mm spacing (this is a guide line and depends on the type of kerb and the space between kerb and wall).

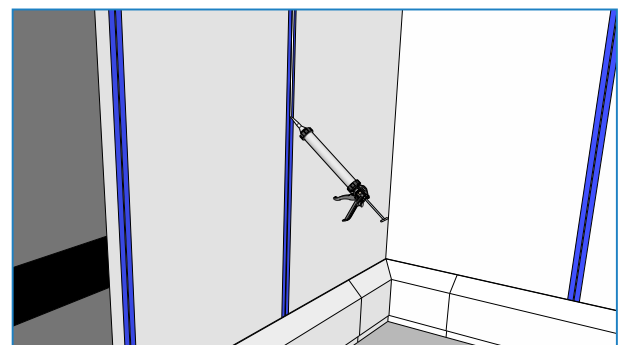


4  
Disperse the Hygiseal 3.1 under a 45° angle using a manual, pneumatic or battery 600cc caulking gun.

**Important, all joints should be filled-up completely.**

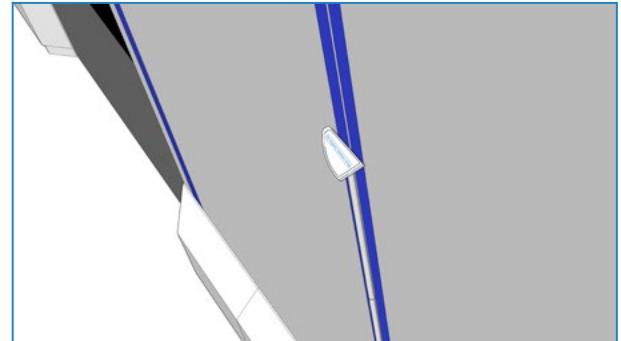
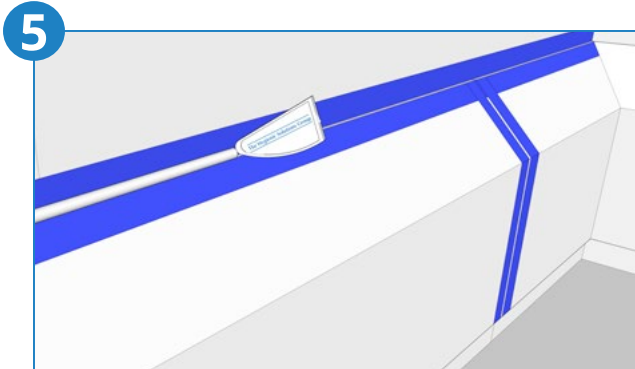
The estimated consumption of Hygiseal 3.1 is 50cc per linear meter for the wall panels/sheets. For the kerbs is this estimated consumption 100 cc per linear meter depending on the size of the joints and the type of kerb. The usage of a pneumatic or battery application tool will provide better results as the same pressure and speed can be maintained.

**Recommended ambient temperature is between 5°C to 35°C.**

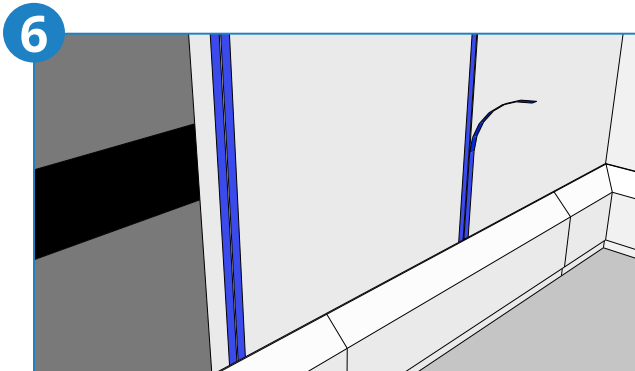




0-10 minutes



Directly after applying the joint can be tooled. Use the supplied smoothmaker to smoothen out the Hygiseal 3.1 joint and remove excess product. On the vertical joints the smoothmaker must be applied under a 45° angle to smoothen the Hygiseal 3.1. Always apply a joint finishing solution (for example a soapy-water solution) for a good finish. **Never touch the joint with bare fingers.** At a temperature of 23°C the skin formation will follow after ca. 15 min. During this time it is important to keep the fresh joint completely dust-free.



Immediately after smoothening the Hygiseal 3.1 joint, the tape can be removed. Waiting too long can result in the Hygiseal joint being peeled off. Always pull the tape from the wall to the joint for best results. The Hygiseal 3.1 joint will be fully cured after +- 72 hours.

*All safety measures regarding Hygiseal 3.1 installation can be found in the Safety Data Sheet.*